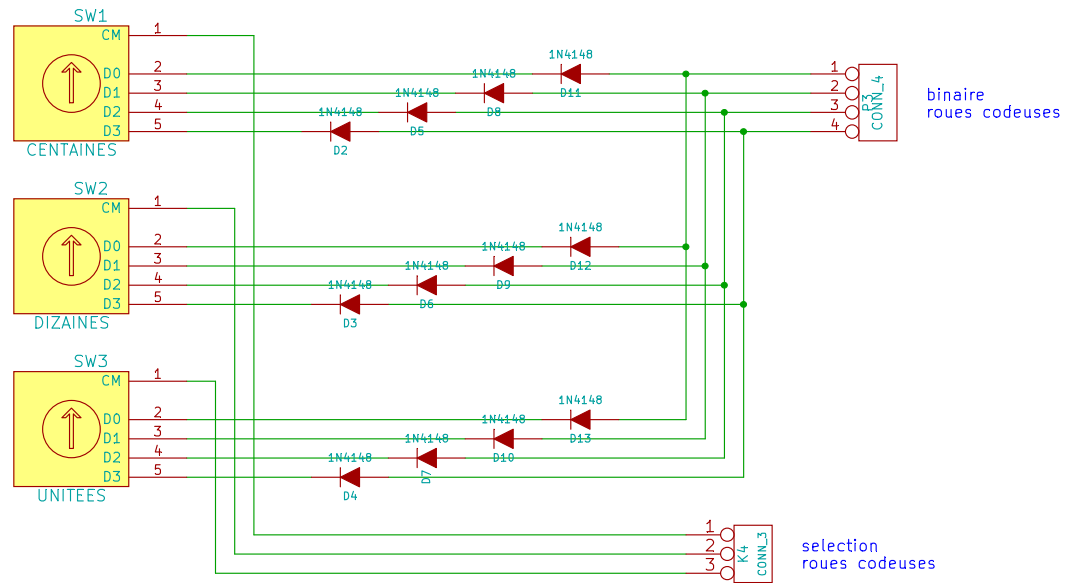


Sheet: roues codeuses  
 File: roues codeuses.sch

<b>MERCET Ludovic</b>		
File: shutter.sch		
Sheet: /		
<b>Title: shutter DMX</b>		
Size: A4	Date: 14 jan 2012	<b>Rev:</b>
KiCad E.D.A. eeschema (2010-12-18 BZR 2668)-stable		Id: 1/2



<b>MERCET Ludovic</b>		
File: roues codeuses.sch		
Sheet: /roues codeuses/		
<b>Title: roues codeuses</b>		
Size: A4	Date: 14 jan 2012	<b>Rev:</b>
KiCad E.D.A.	eeschema (2010-12-18 BZR 2668)-stable	Id: 2/2